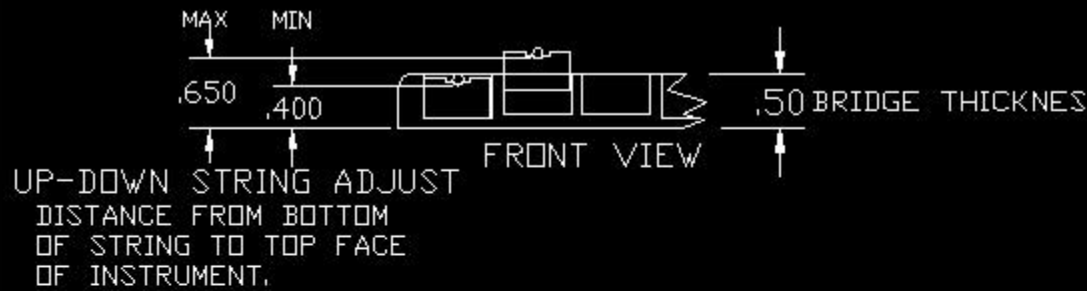
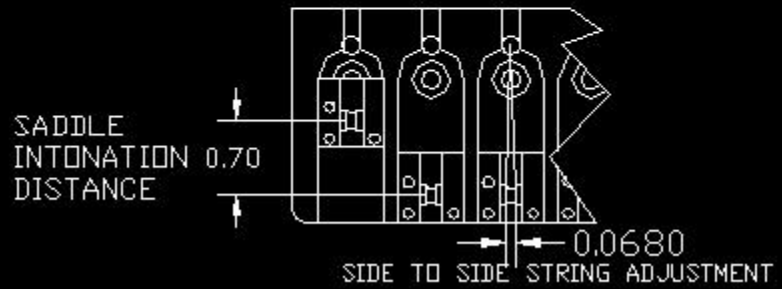
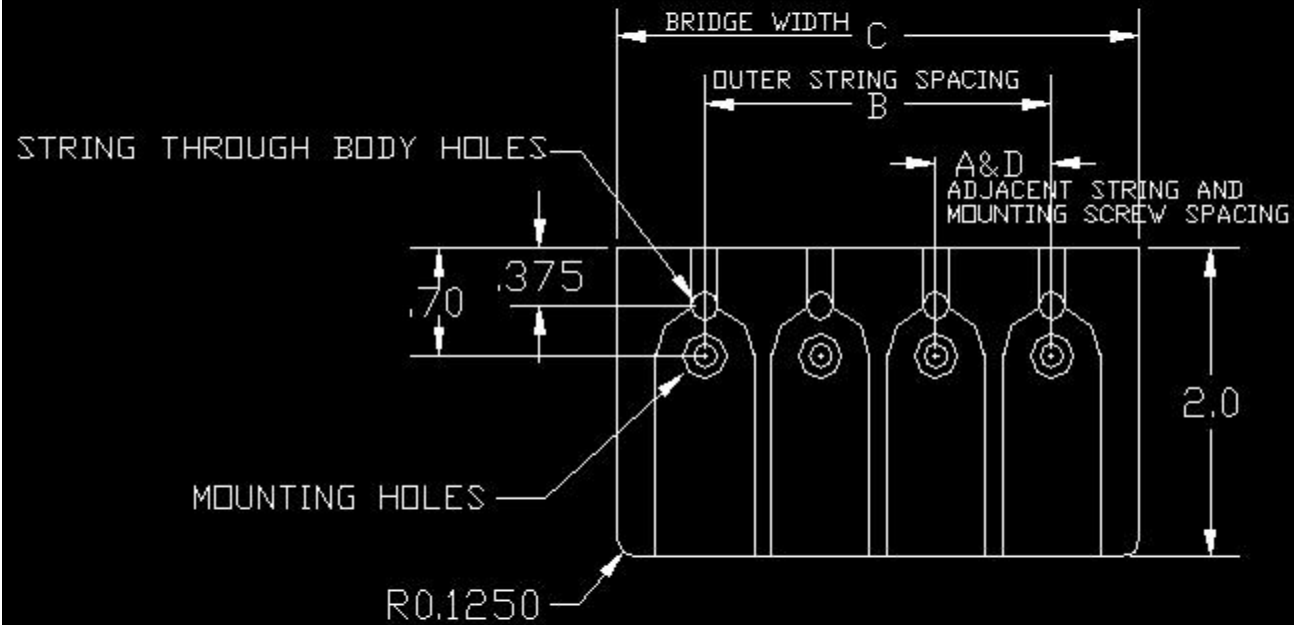


GENERAL INFORMATION WHICH  
APPLIES TO ALL TYPE 'A' BRIDGES



## 4 STRING TYPE 'A' BASS BRIDGE



## “A” STYLE BRIDGE

	<b>A</b>	<b>B</b>	<b>C</b>	<b>D</b>
<b>4 STRING</b>	.656	1.968	3.093	.656
<b>4 STRING</b>	.750	2.25	3.375	.750

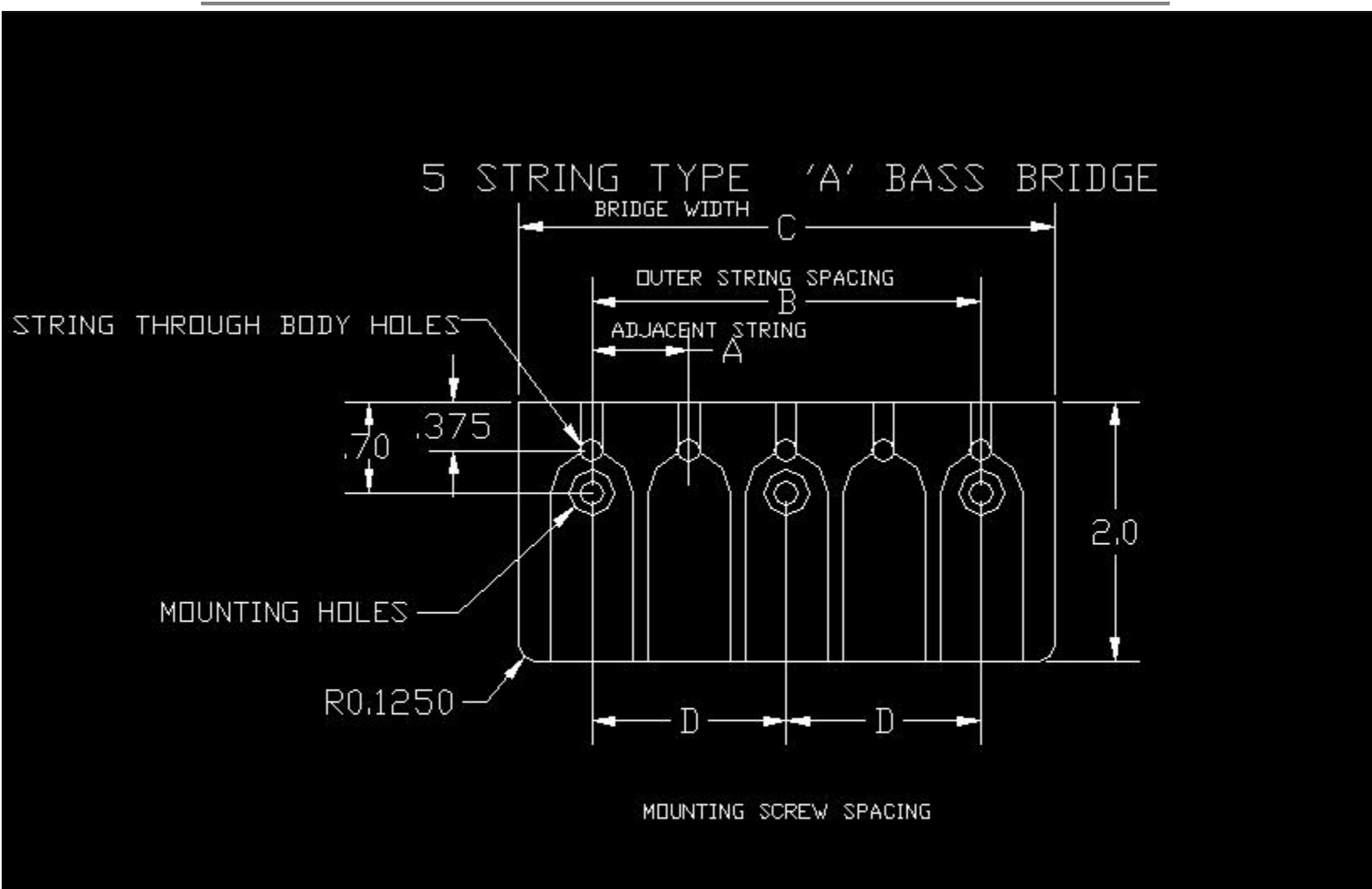
4 STRING

.787

2.360

3.385

.787



# “A” STYLE BRIDGE

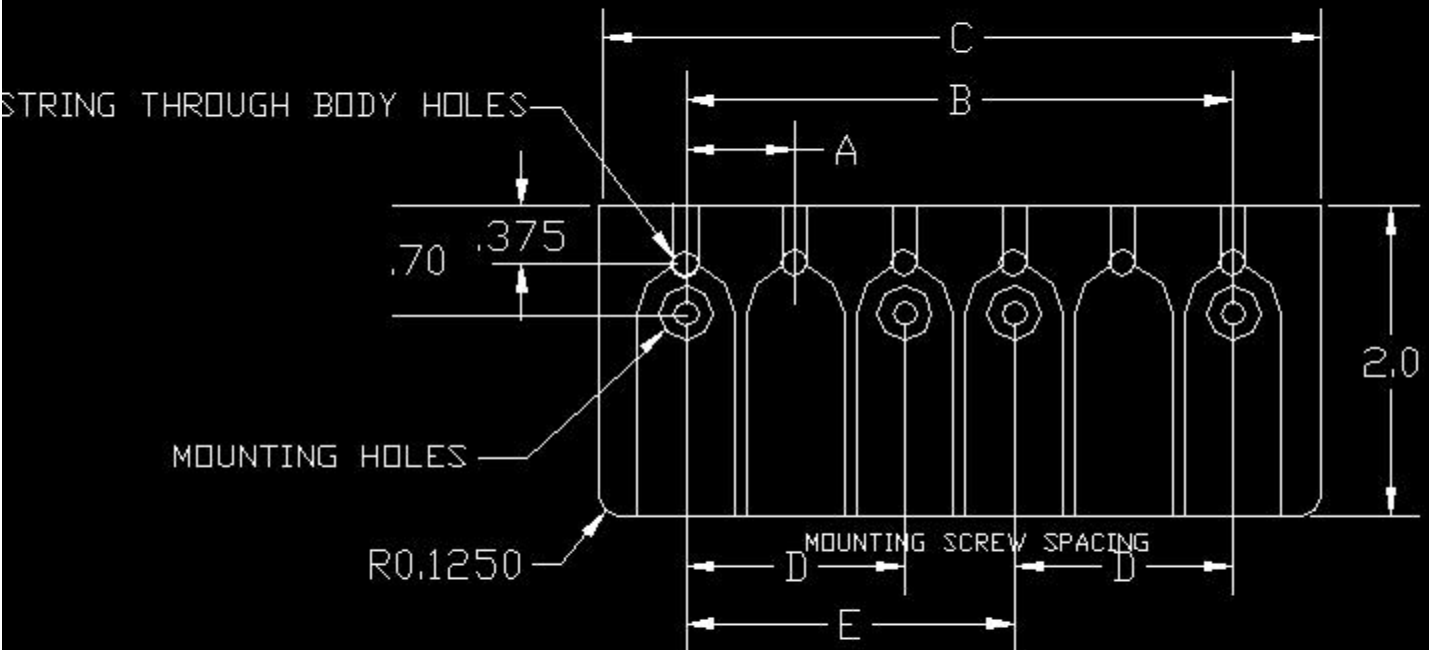
---

	<b>A</b>	<b>B</b>	<b>C</b>	<b>D</b>
<b>5 STRING</b>	.669	2.675	3.800	1.338
<b>5 STRING</b>	.687	2.75	3.875	1.375
<b>5 STRING</b>	.708	2.830	3.960	1.416
<b>5 STRING</b>	.728	2.912	4.037	1.456
<b>5 STRING</b>	.750	3.0	4.135	1.50
<b>5 STRING</b>	.787	3.150	4.150	1.576
<b>5 STRING</b>	.830	3.320	4.446	1.660

---

---

## 6 STRING TYPE 'A' BASS BRIDGE



## “A” STYLE BRIDGE

	A	B	C	D	E
<b>6 STRING</b>	.669	3.345	4.470	1.348	2.0
<b>6 STRING</b>	.687	3.437	4.566	1.375	2.062

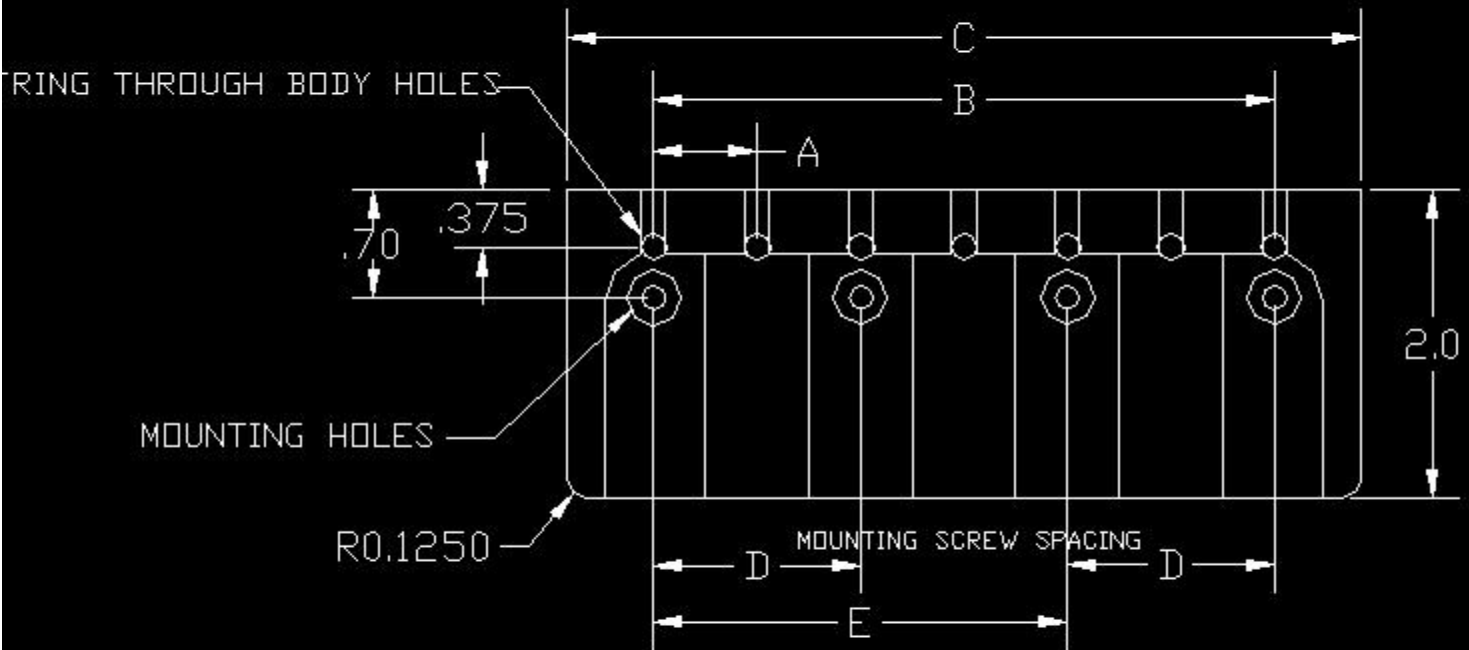
---

<b>6 STRING</b>	.708	3.540	4.667	1.416	2.125
<b>6 STRING</b>	.728	3.640	4.765	1.456	2.184
<b>6 STRING</b>	.750	3.750	4.885	1.50	2.250
<b>6 STRING</b>	.787	3.937	4.935	1.574	2.360

---

---

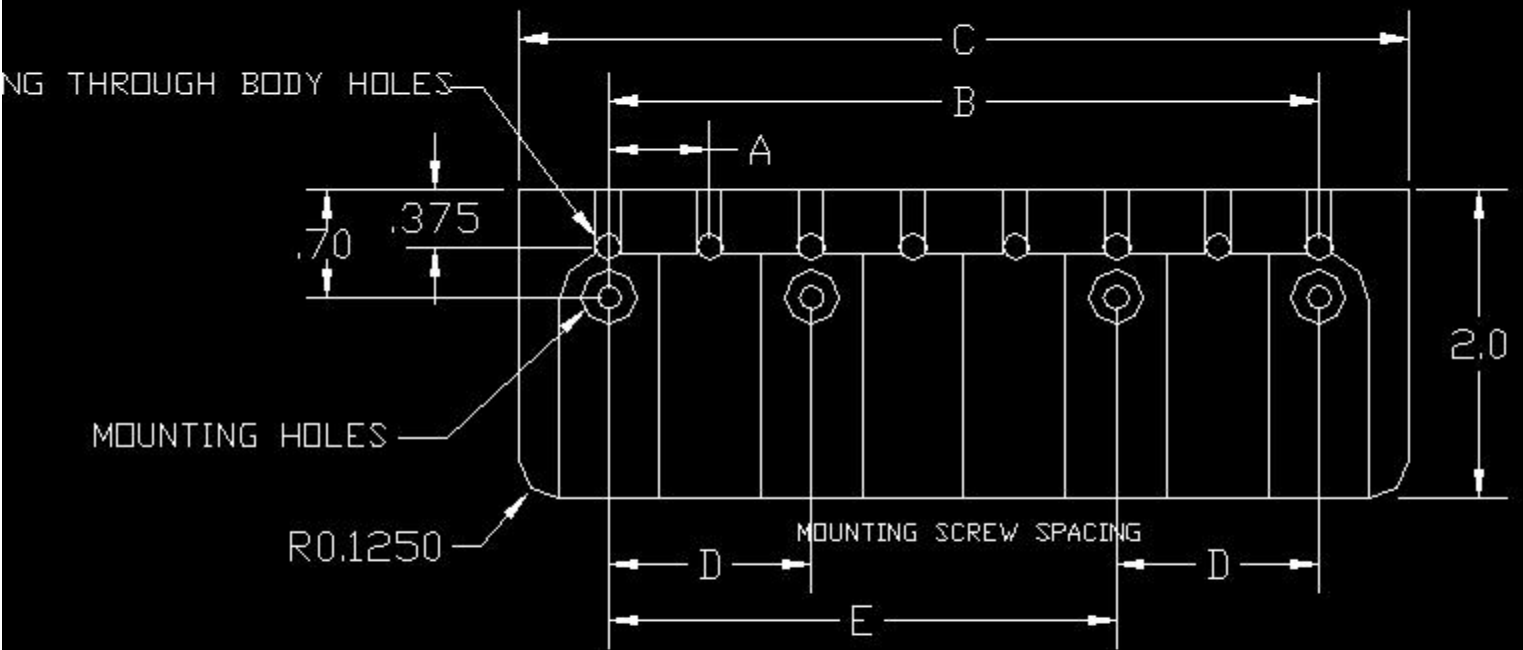
## 7 STRING TYPE 'A' BASS BRIDGE



## “A” STYLE BRIDGE

	A	B	C	D	E
7 STRING	.651	3.900	5.057	1.302	2.604
7 STRING	.669	4.014	5.139	1.338	2.676

## 8 STRING TYPE 'A' BASS BRIDGE

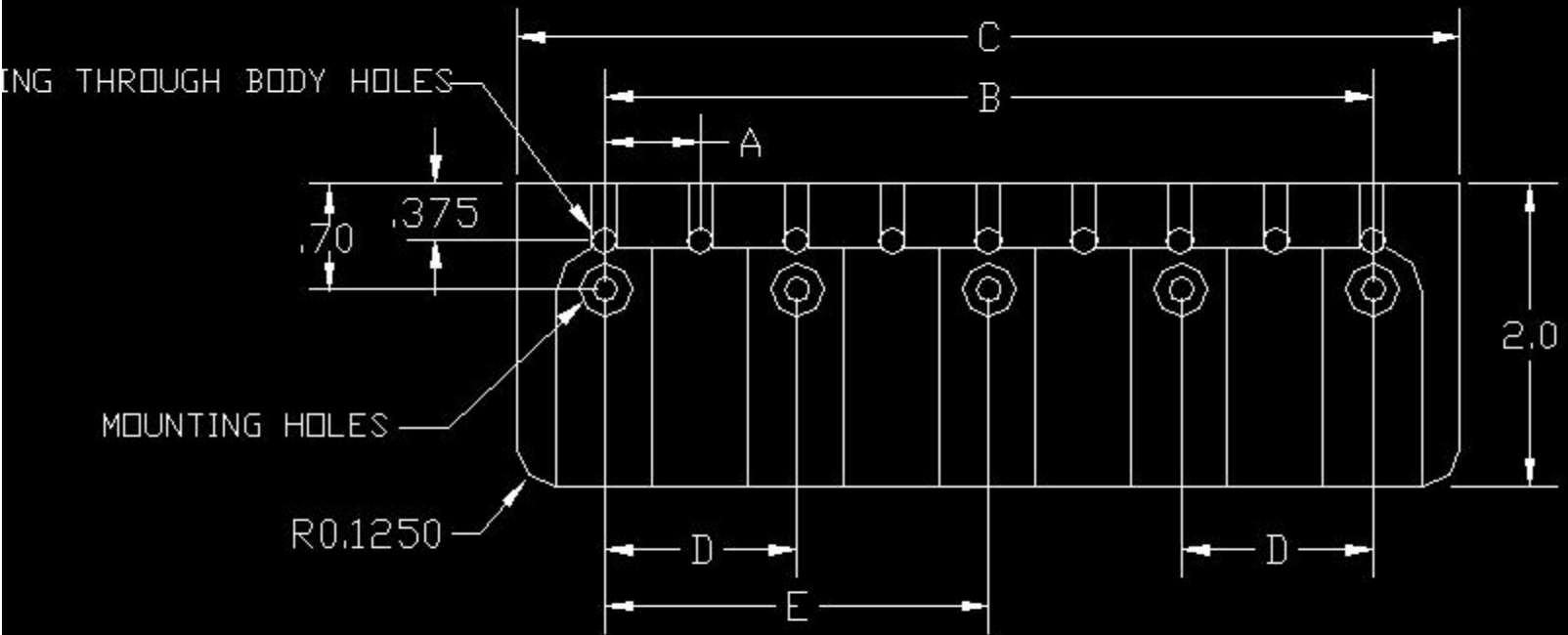


## “A” STYLE BRIDGE

	A	B	C	D	E
8 STRING	.656	4.590	5.750	1.312	3.280



9 STRING TYPE 'A' BASS BRIDGE



# “A” STYLE BRIDGE

	A	B	C	D	E
9 STRING	.635	5.080	6.236	1.270	2.540

---

**9 STRING**

.656

5.250

6.400

1.312

2.625

---